

DAHLE 517



Abb. A

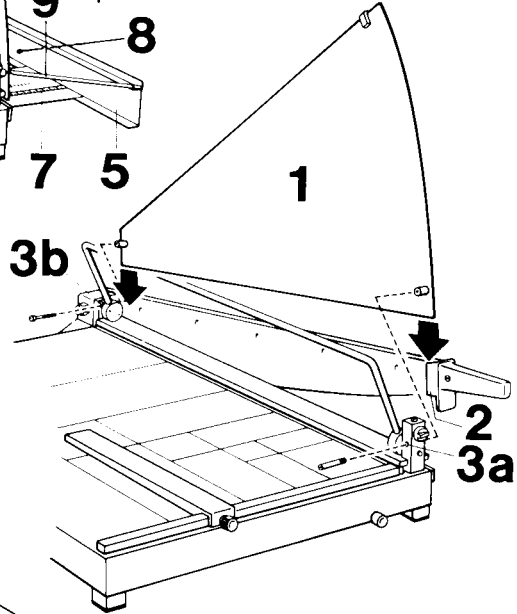


Abb. C

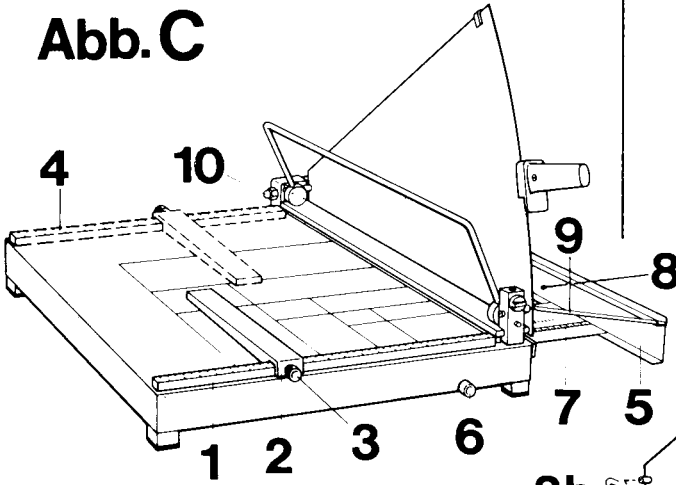


Abb. B

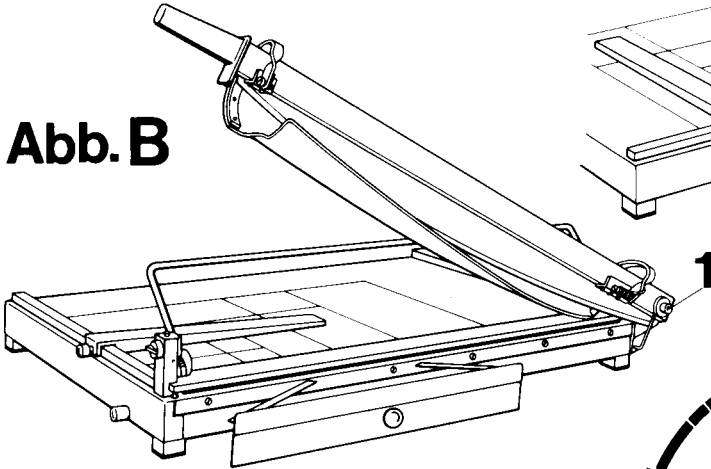
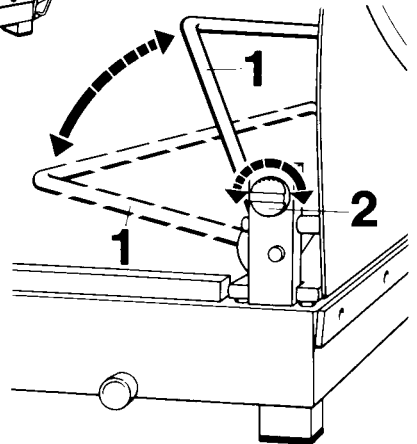


Abb. D



DAHLE 567



OPERATING INSTRUCTIONS

GUILLOTINE „DAHLE 517” SAFETY GUILLOTINE „DAHLE 567”

All DAHLE-guillotines are individually checked for reliable and perfect operation.

When using the machines please always take notice of the regulations for prevention of accidents for guillotines, and before use, ensure the perfect function of the safety devices and see that the knife in all positions should not drop by itself.

Important: Before using the guillotine please pay attention to the following points:

Assembling of the hand guard (fig. A)

With the guillotine blade down the enclosed hand guard (triangular plate fig. A1) is to be placed between the brackets and the cutting knife, with the threaded bushes facing towards the two brackets. The hand guard must be slotted into the guide on the blade carrier (fig. A2) and tightened with the enclosed **stud bolt** (fig. A3a) on the bracket in the front and with the enclosed **cheese head screw** (fig. A3b) on the bracket at the back.

On the safety guillotines DAHLE 567 the automatic safety device is already fitted ready for use (fig. B)

The guillotine is equipped with two systems of measurement:

- 1 The scale block (fig. C1) is marked with scales in DIN, cm and inch graduation. The lines on the table area are marked in DIN sizes (A4 etc.). The adjustable double sided pointer (fig. C2) is fixed by a plastic knurled nut (fig. C3) allowing exact adjustment to the size required

The scale block (fig. C1) can also be fastened to the top of the table (fig. C4). Remove three screws on the under side of the table, holding the scale block in place. Remove the three plastic plugs at the top of the table and refit scale block, using a set square to ensure the angle between the bottom cutting blade and the scale block is 90°. This change is required to cut tough materials, with maximum leverage.

- 2 By pressing the red knob (fig. C6) the offcut tray (fig. C5) can be pulled out and set (fig. C8). On the bottom of the drawer there is a scale (fig. C7) with DIN, cm and inch graduation. When the pressure on the red knob is released the front stop is automatically held on the adjusted measure. Two metal bars (fig. C9) can be swung out to hold the material to be cut.

How to use pressure clamp (fig. D)

1 Hand pressure

Place material to be cut against the scale block, it can be held firmly by pressing down the hand press bar (fig. D1).

2 Fixed pressure

By turning the red knob (fig. D2) the hand press bar can be locked for fixed pressure. Releasing of clamp. A slight pressure on the hand press bar and turn back the knob.

Insert the material to be cut and ensure that it lies against the scale block as well as against the pointer and offcut tray. Clamping takes place by pressing down the hand press bar - the material to be cut is held firm.

In order to obtain a good cutting result - even with the thinnest types of paper - it is advisable to press the knife gently towards the table during the cutting process.

In all positions the knife should not drop by itself. If the knife moves too easily, the locknut (fig. C10) should be loosened, the hex-head bolt (fig. B1) on the knife head tightened and then the locknut (fig. C10) should be tightened again. The blade is exceedingly sharp.

Attention: It is very dangerous to touch or grip the cutting edge of the knife of the guillotine, as the DAHLE-guillotines comply with the stringent safety rules of the trade associations. But this safety is only guaranteed if the pressure bar and the safety device connected with it are not removed!

For replacement orders please indicate the complete model number on the under side of the guillotine table.