

Martin Yale 2051 Smartfold Electronic Paper Folding Machine

Quick Start Manual



Provided by

MyBinding.com
When Image Matters.

Call Us at 1-800-944-4573

4 Setting a Paper Size, Fold Type, and Quantity



Press the "SIZE SELECT" button located on the operator interface to specify your paper size.



Press the "FOLD SELECT" button and choose the fold type you wish from the selection.



Press the "QUANTITY" button, input the numbers of pages to fold, and then press the enter button.



You are now ready to begin folding paper.

5 Folding Paper



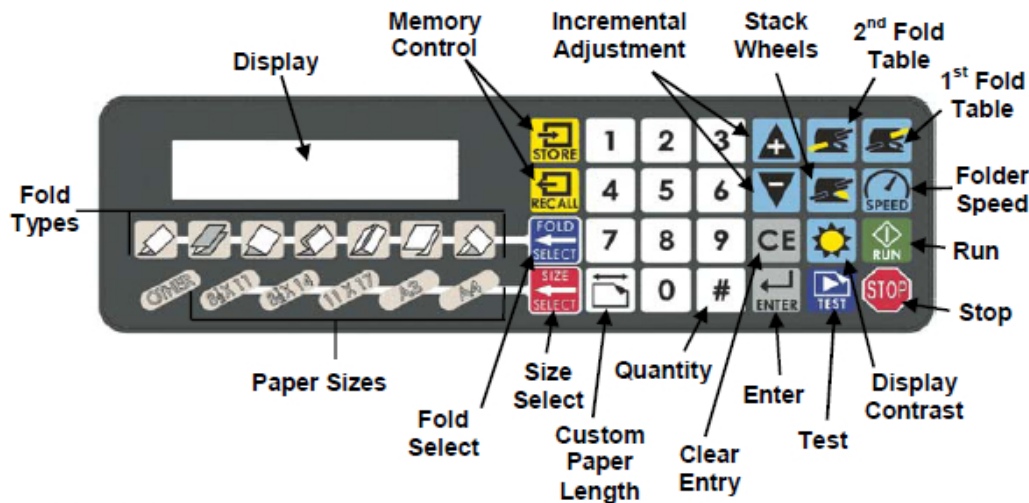
Pressing the "RUN" button will initiate folding. Folding will continue until one of the follow conditions is met:

1. The Stop button is pressed,
2. The Feed Table becomes empty of paper,
3. A folding error is encountered, or
4. The programmed quantity reaches 0 (zero).



In case of emergency, press the "STOP" button to automatically stop the machine.

Operator Interface



intimus[®]

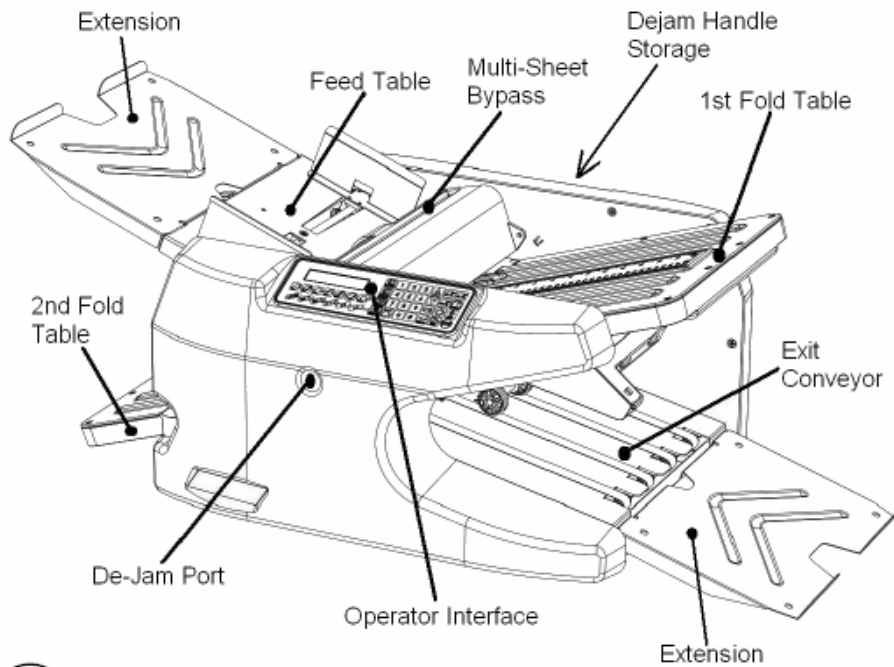
2051 SmartFold™

Quick Start Instructions



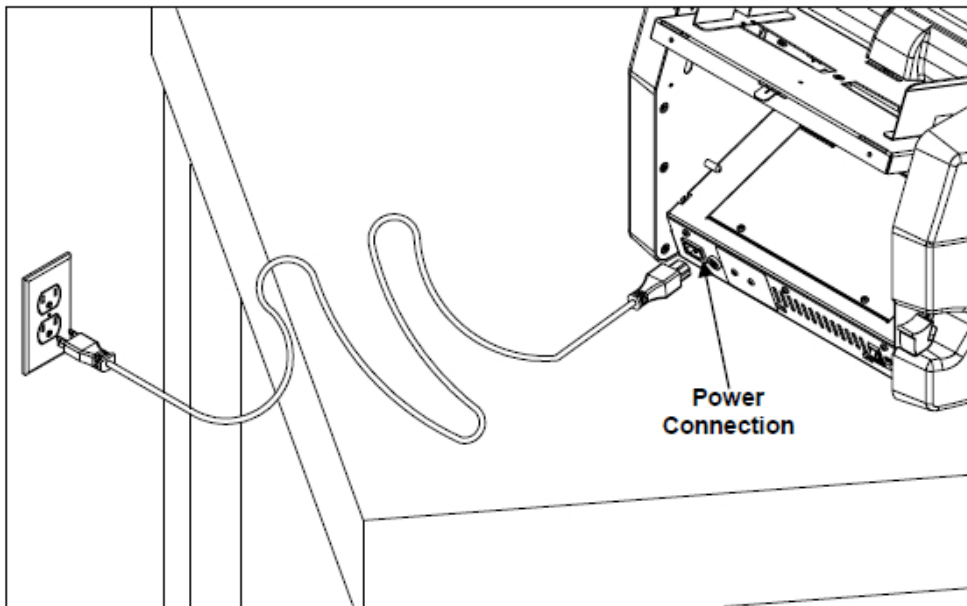
- 1 Setting up the Machine
- 2 Fold Table Installation
- 3 Loading the Paper
- 4 Setting a Paper Size, Fold Type, and Quantity
- 5 Folding Paper

"For important safety instructions and warnings, refer to the User Manual."



1 Setting up the Machine

Remove your 2051 AutoFolder from the box & place it on a flat, sturdy table or work surface. Attach the Power Cord to the Power Connection on the machine and plug into an AC outlet.



2 Fold Table Installation

Step 1: slide the front slot opening of the fold table onto the inner set of pins (closest to the folding rollers).

Step 2: lower the fold table onto the outer set of pins. Repeat Steps 1 & 2 for 2nd Fold Table installation (see illustration below).

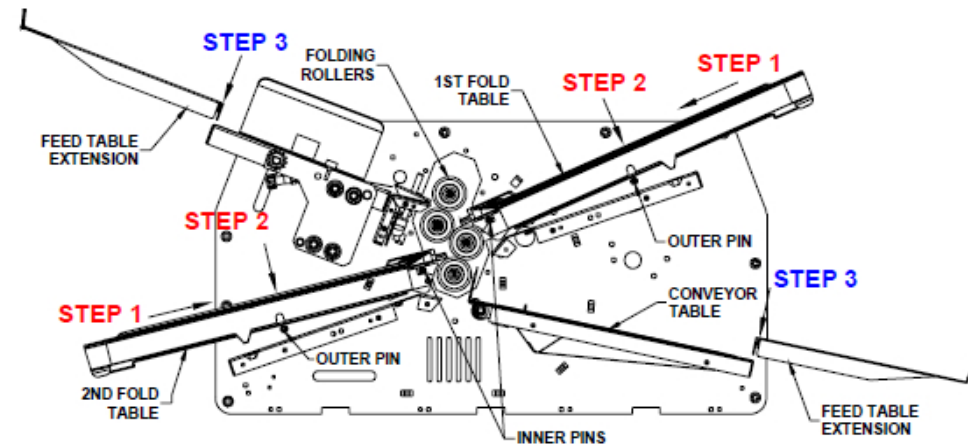
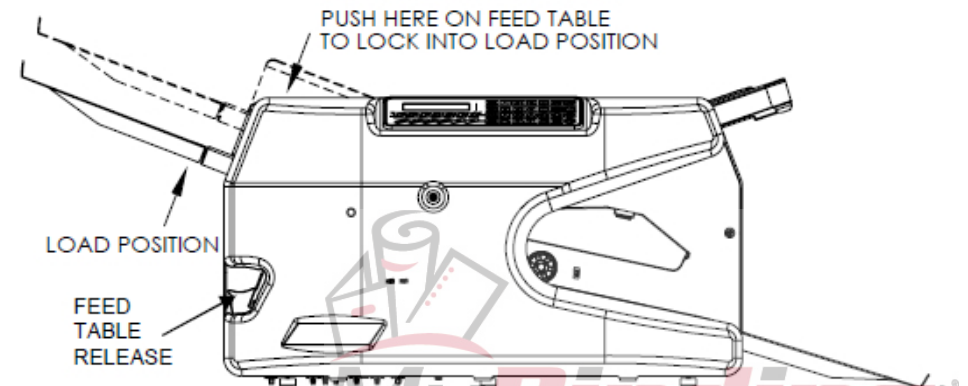


Table Extensions

Step 3: align the locking tabs of the Table Extension with the slots in the Feed Table. Squeeze the Feed Table and Table Extension together nearest the tabs and slots until the 2 pieces snap together. Repeat step 3 for Conveyor Table (see illustration above).

3 Loading the Paper

To load paper into the Feed Table, push the Feed Table down, until it locks into the "load" position as shown.



Load the paper into the Feed Table. Unlock the Feed Table to return to the raised position by depressing the Feed Table Release (see illustration above).